



### General Characteristics of UH Series Horizontal Fan Forced Unit Heater

**Construction:** heavy gauge welded steel cabinet with powder coated finish and control compartment with a hinged and latched access door, simplifying wiring installation and maintenance.

**Heating Element:** circular copper clad steel sheath element with continuously brazed steel fins formed to match the air delivery pattern of the fan blade.

**Overheat Protection:** all units come equipped with automatic resetting type limit controls to de-energize the heater should an over-temperature situation occur.

**Fan And Motor:** totally enclosed, single phase, permanently lubricated, thermally protected motors with unit bearings on 3 kw - 10 kw models and sleeve bearings on 12.5 kw - 48 kw models - mounted with rubber insulators to minimize vibration and noise. Fan assembly enclosed by a heavy gauge, close spaced, chrome plated wire guard.

**Louver Assembly:** louvers are individually adjustable for directional control of air flow and the entire assembly can be repositioned in the field from down flow to up flow or left / right directional air flow. temperature controls: 20 kw through 48 kw units and all 480v have built in 24 volt transformer for low voltage remote thermostat application. 25 kw through 48 kw models available in 2-stage on special order (consult factory).

**Installation:** unit heaters can be mounted with the motor shaft from horizontal to downward at 45° off horizontal. Pre-drilled holes and installed threaded nuts provided to allow hanging by threaded rods - 1/4" for units up to 15 kw and 5/16" for 20 kw units and larger. Optional wall / ceiling mounting brackets are available for all units.



### Product Applications of UH Series Horizontal Fan Forced Unit Heater

Recommended for all industrial, commercial, and residential. For indoor and outdoor use.

### Warranties of UH Series Horizontal Fan Forced Unit Heater

Manufacturer's Limited Warranty: 1 Year.

### Specific Characteristics of UH Series Horizontal Fan Forced Unit Heater

Item #	Manufacturing #	CFM	Volts V	Amperes A	Phases PH	HP	Kw	BTU's	Control Volts	Temp Rise(°F)	Air Flow	Weight and Dimensions with Packaging	
												Lbs.	L,W,H In.
USUHH-001	F1FUH03003	400	208	15.9	1	1/20	3.3	11200	208	26	26'	38	13,22,15
USUHH-002	H1HUH03003	400	240	13.8	1	1/20	3.3	11200	240	26	26'	38	13,22,15
USUHH-003	G1GUH03003	400	277	11.9	1	1/20	3.3	11200	277	26	26'	38	13,22,15



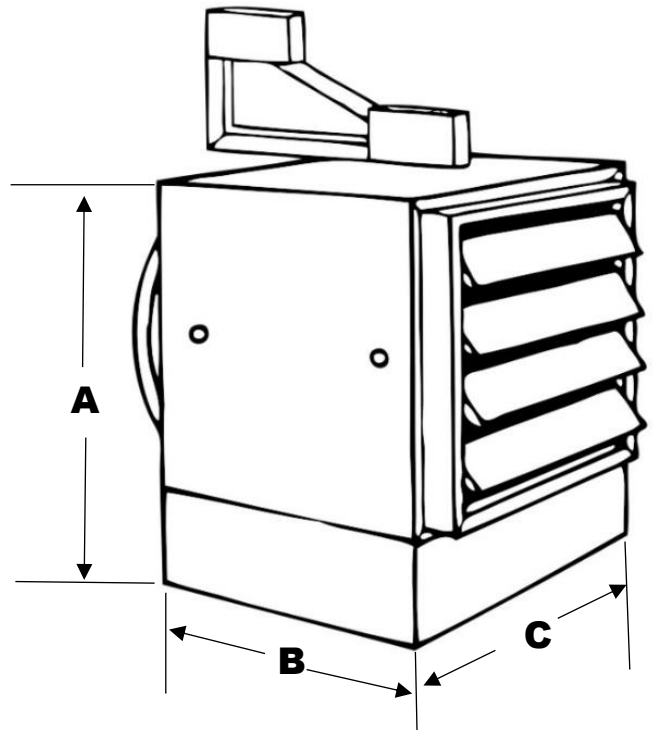
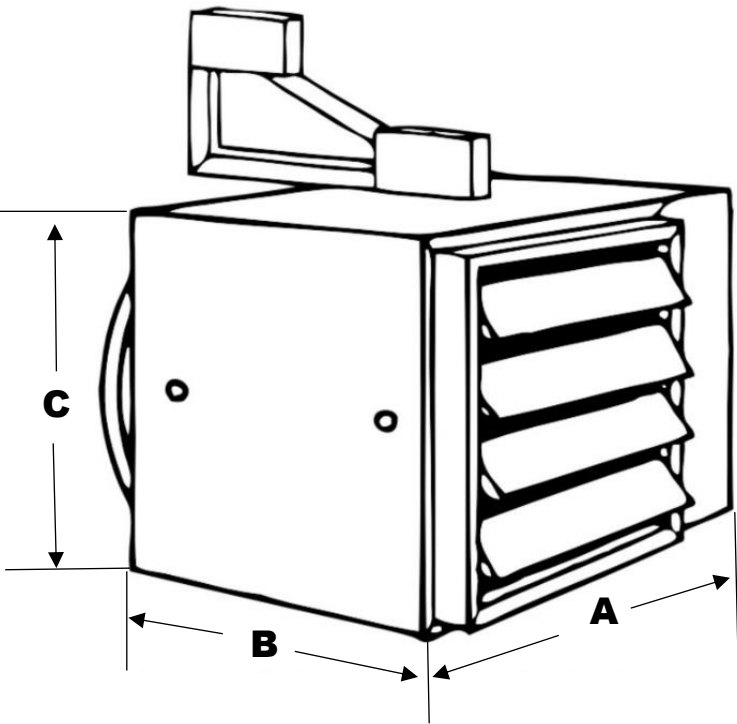
Item #	Manufacturing #	CFM	Volts V	Amperes A	Phases PH	HP	Kw	BTU's	Control Volts	Temp Rise(°F)	Air Flow	Weight and Dimensions with Packaging	
												Lbs.	L,W,H In.
USUHH-004	H3HUH03C03	400	240	7.9	3	1/20	3.3	11200	240	26	26'	38	13,22,15
USUHH-005	F3FUH03C03	400	208	9.2	3	1/20	3.3	11200	208	26	26'	38	13,22,15
USUHH-006	P3PUH03CA1	400	480	4	3	1/20	3.3	11200	24	26	26'	38	13,22,15
USUHH-007	F1FUH05003	400	208	24.1	1	1/20	5	17100	208	40	26'	38	13,22,15
USUHH-008	H1HUH05003	400	240	20.8	1	1/20	5	17100	240	40	26'	38	13,22,15
USUHH-009	G1GUH05003	400	277	18.1	1	1/20	5	17100	277	40	26'	38	13,22,15
USUHH-010	F2FUH05C03	400	208	24.1/14.0	1 or 3	1/20	5	17100	208	40	26'	46	13,22,15
USUHH-011	H2HUH05C03	400	240	20.8/12.1	1 or 3	1/20	5	17100	240	40	26'	46	13,22,15
USUHH-012	P3PUH05CA1	400	480	6.1	3	1/20	5	17100	24	40	26'	46	13,22,15
USUHH-013	F1FUH07CA1	575	208	36.1	1	1/20	7.5	25600	24	42	36'	42	13,22,15
USUHH-014	H1HUH07CA1	575	240	31.1	1	1/20	7.5	25600	24	42	36'	43	13,22,15
USUHH-015	G1GUH07CA1	575	277	27.1	1	1/20	7.5	25600	24	42	36'	43	13,22,15
USUHH-016	F3FUH07C03	575	208	20.8	3	1/20	7.5	25600	208	42	36'	46	13,22,15
USUHH-017	H2HUH07C03	575	240	31.3/18.1	1 or 3	1/20	7.5	25600	240	42	36'	46	13,22,15
USUHH-018	P3PUH07CA1	575	480	9.1	3	1/20	7.5	25600	24	42	36'	46	13,22,15
USUHH-019	F1FUH10CA1	575	208	48.1	1	1/20	10.0	34100	24	55	36'	44	13,22,15
USUHH-020	H1HUH10CA1	575	240	41.7	1	1/20	10.0	34100	24	55	36'	44	13,22,15
USUHH-021	G1GUH10CA1	575	277	36.1	1	1/20	10.0	34100	24	55	36'	44	13,22,15
USUHH-022	F2FUH10C03	575	208	48.1/27.8	1 or 3	1/20	10.0	34100	208	55	36'	44	13,22,15
USUHH-023	HF2BUH10C03	575	240	41.7/24.1	1 or 3	1/20	10/7.5	34100	240	55	36'	47	13,22,15
USUHH-024	HF2BUH10C03	575	208	36.1/20.8	1 or 3	1/20	10/7.5	25600	208	42	36'	47	13,22,15
USUHH-025	P3PUH10CA1	575	480	12.1	3	1/20	10.0	34100	24	55	36'	53	13,22,15
USUHH-026	F1FUH12C03	800	208	60.1	1	1/20	12.5	42600	208	49	45'	47	13,22,15
USUHH-027	H1HUH12C03	800	240	52.1	1	1/20	12.5	42600	240	49	45'	47	13,22,15
USUHH-028	F3FUH12C03	800	208	34.7	3	1/20	12.5	42600	208	49	45'	47	13,22,15
USUHH-029	H3HUH12C03	800	240	30.1	3	1/20	12.5	42600	240	49	45'	47	13,22,15
USUHH-030	P3PUH12CA1	800	480	15.1	3	1/20	12.5	42600	24	49	45'	47	13,22,15
USUHH-031	F1FUH15C03	800	208	72.1	1	1/20	15.0	51200	208	59	45'	56	13,22,15
USUHH-032	H1HUH15C03	800	240	62.5	1	1/20	15.0	51200	240	59	45'	56	13,22,15
USUHH-033	F3FUH15C03	800	208	41.7	3	1/20	15.0	51200	208	59	45'	56	13,22,15
USUHH-034	H3HUH15C03	800	240	36.1	3	1/20	15.0	51200	240	59	45'	56	13,22,15
USUHH-035	P3PUH15CA1	800	480	18.1	3	1/20	15.0	51200	24	59	45'	56	13,22,15
USUHH-036	F1FUH20CA1	1350	208	96.2	1	1/20	20.0	68300	24	47	56'	57	19,19,26
USUHH-037	H1HUH20CA1	1350	240	83.3	1	1/20	20.0	68300	24	47	56'	57	19,19,26
USUHH-038	F3FUH20CA1	1350	208	55.6	3	1/20	20.0	68300	24	47	56'	57	19,19,26
USUHH-039	H3HUH20CA1	1350	240	48.2	3	1/20	20.0	68300	24	47	56'	57	19,19,26
USUHH-040	P3PUH20CA1	1350	480	24.1	3	1/20	20.0	68300	24	47	56'	57	19,19,26
USUHH-041	F1FUH25CA1	1350	208	120.2	1	1/20	25.0	85300	24	58	56'	57	19,19,26
USUHH-042	H1HUH25CA1	1350	240	104.2	1	1/20	25.0	85300	24	58	56'	57	19,19,26
USUHH-043	F3FUH25CA1	1350	208	69.5	3	1/20	25.0	85300	24	58	56'	57	19,19,26
USUHH-044	H3HUH25CA1	1350	240	60.2	3	1/20	25.0	85300	24	58	56'	57	19,19,26
USUHH-045	P3PUH25CA1	1350	480	30.1	3	1/20	25.0	85300	24	58	56'	57	19,19,26
USUHH-046	H1HUH30CA1	1350	240	125	1	1/20	30.0	102390	24	70	56'	62	19,19,26
USUHH-047	F3FUH30CA1	1350	208	83.4	3	1/20	30.0	102390	24	70	56'	62	19,19,26
USUHH-048	H3HUH30CA1	1350	240	72.3	3	1/20	30.0	102390	24	70	56'	62	19,19,26
USUHH-049	P3PUH30CA1	1350	480	36.1	3	1/20	30.0	102390	24	70	56'	62	19,19,26
USUHH-050	P3PUH40CA1	2275	480	48.2	3	1/20	40.0	136500	24	55	56'	77	19,19,26
USUHH-051	P3PUH48CA1	2275	480	57.8	3	1/20	48.0	163800	24	67	56'	80	19,19,26

MAXIMUM RECOMMENDED MOUNTING HEIGHT	
3 - 10 KW	9 FT.
12 - 15 KW	10 FT.
20 - 30 KW	13 FT.
40 - 48 KW	16 FT.



**Dimensions (in) of UH Series Horizontal Fan Forced Unit Heater**

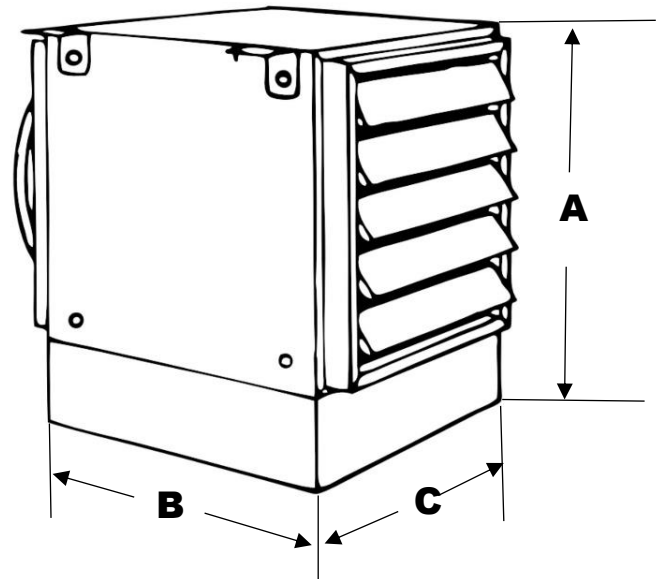
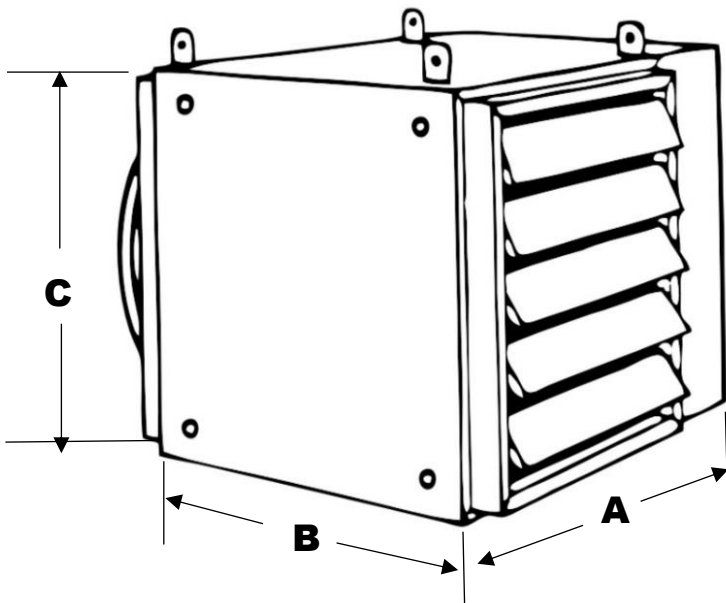
Series	Length A	Width B	Height C
USUHH-001 to 025	20"	11"	13"
USUHH-026 to 035	22"	11"	15"





### Dimensions (in) of UH Series Horizontal Fan Forced Unit Heater

Series	Length A	Width B	Height C
USUHH-036 to 049	24"	17"	17"
USUHH-050 & 051	26"	23"	19"



#### HOW TO DESIGNATE A MODEL:

H 2 H UH 10 C A 1							
<b>Element Volts</b> F = 208 H = 240 HF = 240/208 G = 277 P = 480	<b>Phase</b> 1 = 1-Phase 2 = 1 or 3-Ph. 3 = 3-Phase	<b>Motor Voltage</b> F = 208 H = 240 B = 240 / 208 G = 277 P = 480	<b>Model Series</b> UH	<b>Element KW</b>	<b>Control System</b> O = None C = Contactor	<b>Transformer</b> O = None A = Included	<b>Control Volts</b> 1 = 24 2 = 120 3 = Element Voltage 4 = 240

Factory Installed Options (use as a suffix on model designation):  
 S = Summer Fan Switch, F = Fan Delay, D = Disconnect, T = Built-in Thermostat, E = Epoxy Coated

Field Installed Options:  
 Disconnect Switch, Built-in Thermostat, & Wall / Ceiling Bracket